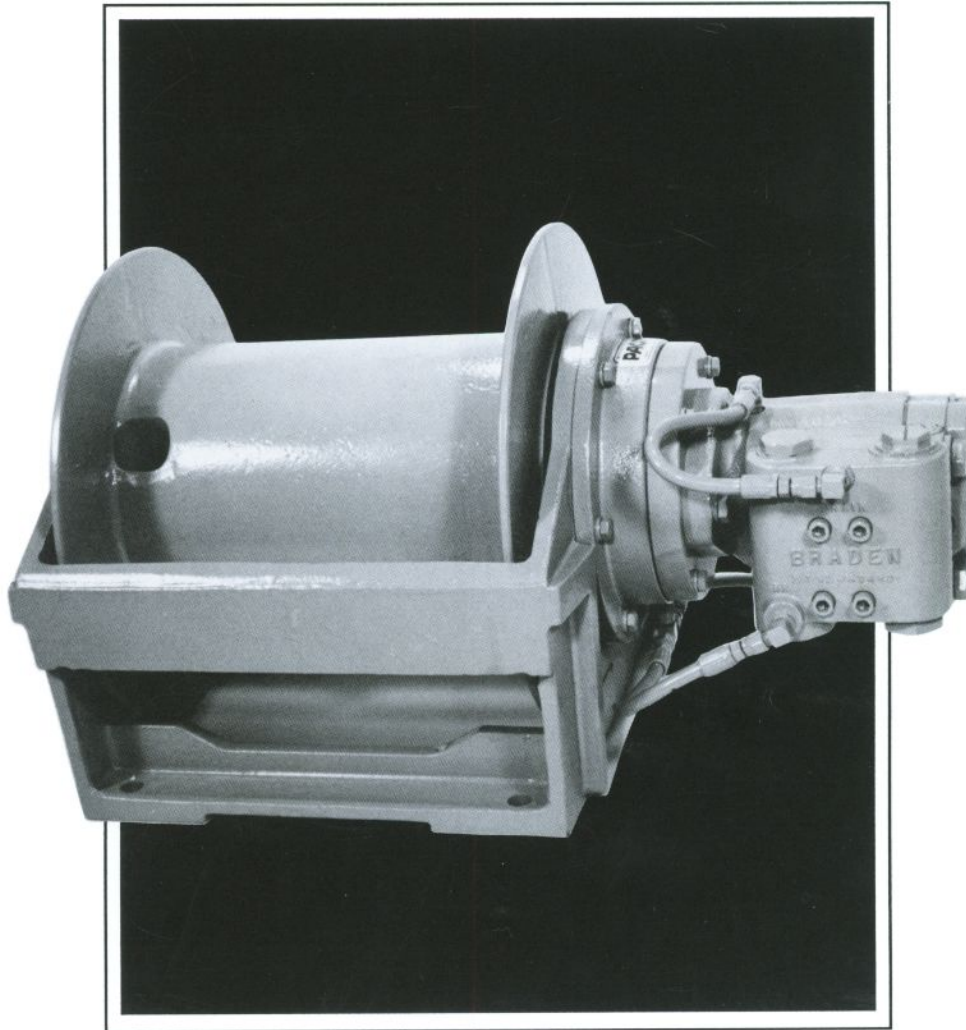


BRADEN[®]
Gearmatic[®]

MODEL BG8



**HYDRAULIC
PLANETARY WINCH**

FIRST LAYER LINE PULLS UP TO 8,000 LBS.

PACCAR WINCH DIVISIONS

P.O. BOX 547 • BROKEN ARROW, OK U.S.A. 74013
PHONE (918) 251-8511 • FAX (918) 258-4822

BG8 FEATURES

The **BG8A** Series planetary winch is a second generation evolution of the **Braden PD7A** and **Gearmatic GH7** winches. Improvements to the gear train and drum sealing have resulted in greater line pulls on equal speed models and improved reliability for the entire series.

The **BG8A** is powered by a high efficiency gear motor designed specifically for winch applications to provide smooth operation. All rotating components are supported by anti-friction bearings and run in oil to minimize frictional losses. Load control when lowering or paying-out cable is maintained by the patented **Braden Brake Valve** known for its smooth operation. The brake valve not only provides smooth load control, but also adapts well to most hydraulic systems. The dynamic brake on the high speed reverse option allows the operator to lower full rated loads at three times the hoisting speed.*

An internal, automatic, multi-disc safety brake backs up the brake valve while lowering a load, and firmly holds the load when the winch is not being powered. An over-running clutch permits free rotation through the fully applied brake to haul-in cable, but immediately locks up when the hoisting operation is completed. The load is held firm, even if the engine stalls or a hydraulic line breaks.

Continuing product development programs at both **Braden** and **Gearmatic** have led the industry with innovative, quality products serving a wide range of markets. The **BG8A** Series winch is a result of that development effort and is supported by a comprehensive warranty.

* Refer to note on page 5 and 6.

FULL LOAD ANCHOR** for additional safety. One anchor wedge fits 7/16 - 1/2 - 9/16 wire rope, optional wedge for 7/8 & 1" poly rope.

PLANETARY GEARING -- Highly efficient computer-aided designed gear sets with optional ratios to optimize performance for individual applications.

MULTI-DISC BRAKE -- Spring applied, hydraulically released brake will hold load even if engine dies or hydraulic line breaks.

ANTI-FRICTION BEARINGS -- Used throughout the winch for maximum efficiency.

PATENTED BRAKE VALVE -- BRADEN Brake Valve known for precise lowering control.

HIGH EFFICIENCY MOTOR -- High efficiency hydraulic motor with optional displacements to tailor winch to individual hydraulic systems.

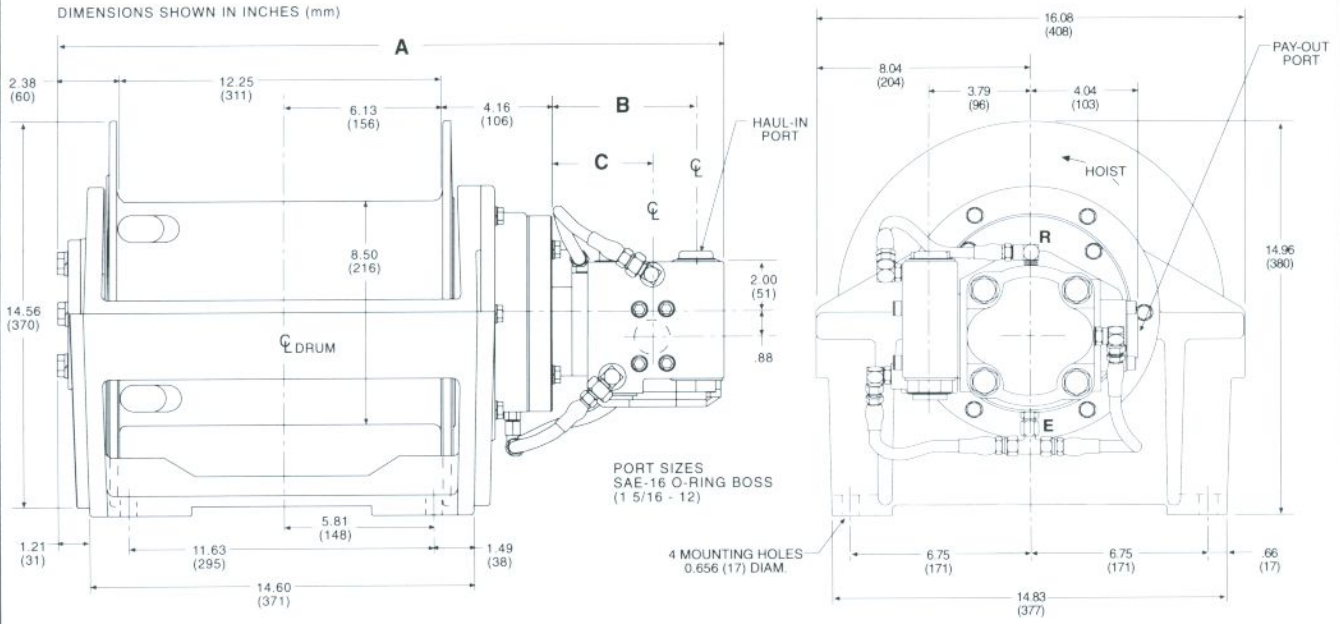
EASY SERVICE -- Fill, level, and drain plugs in convenient locations.

CAST DRUM AND BASE -- Rigid one piece cast high strength ductile iron drum and base.

EXTRA BRAKE CAPACITY -- Brake retains minimum 3:1 safety factor even with system back-pressure of 150 PSI.

* Consult Installation, Maintenance, and Service Manual for proper installation. The Braden designed wire rope anchors are capable of supporting the rated load, but for additional safety, always maintain a minimum of five (5) wraps of cable on the drum.

DIMENSIONAL DATA



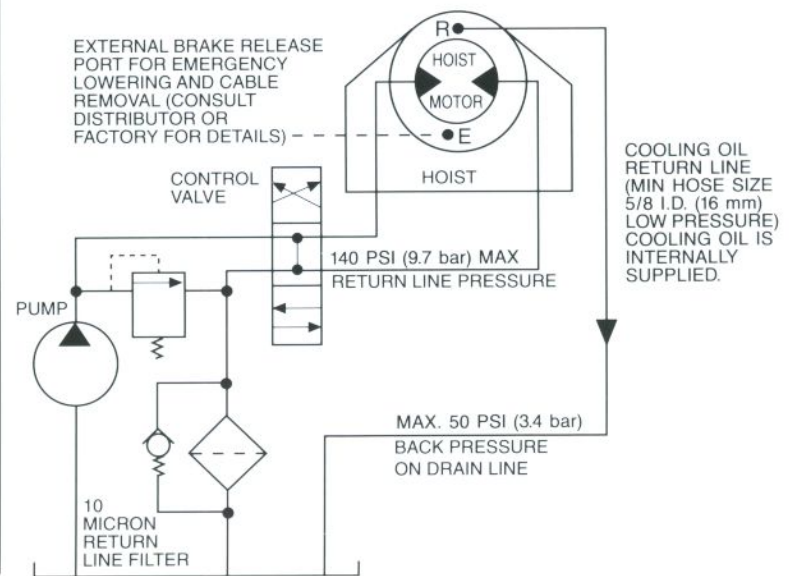
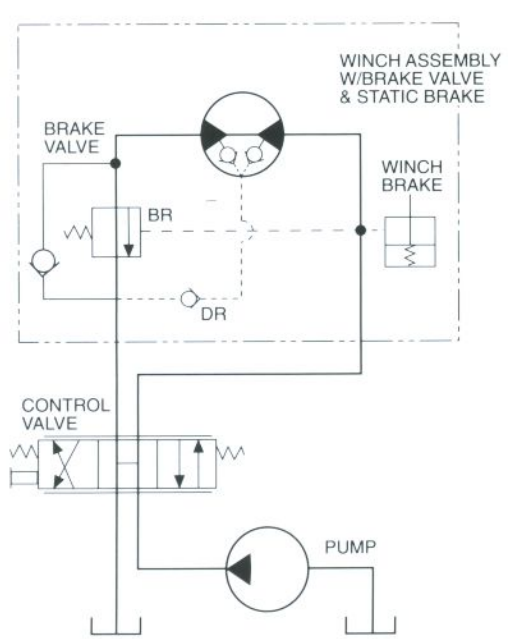
MOTOR	A	B	C
020	25.33 (643)	5.47 (139)	3.81 (97)
029	25.73 (654)	5.72 (145)	4.06 (103)
039	26.23 (666)	5.97 (152)	4.31 (109)
071	22.71 (577)	—	—

- HIGH SPEED REVERSE NOTES**
- Units not equipped with brake valve and external plumbing.
 - H.S.R. option available with 020 and 029 motors.
 - Add 2.35 in. (60 mm) to dimension "A".
 - Use port "R" (3/8-18 NPTF) for cooling oil return.
 - Use port "E" (3/8-18 NPTF) for external brake release.
 - Motor ports are 1" SAE split flange.

HYDRAULIC CIRCUIT

(EQUAL SPEED)

(HIGH SPEED REVERSE)



Standard Features of the Braden BG8 Planetary Hoist

The BG8 Series planetary winch is a high performance product designed to provide many years of service. Some standard features of the BG8 include:

- Multi-disc Brake - Spring applied and hydraulically released
- Anti-friction bearings for maximum efficiency
- Multi-stage planetary reduction

Optional Features of the Braden BG8 Planetary Hoist

Optional features increase the winches ability to meet specific application requirements. Optionals available for the BG8 include:

- Gear Ratios
- Hydraulic Motors (Gear, Vain, Piston)
- Drum Sizes
- Mounting Configurations
- [View BG8A-59039-01-1 specifications](#)
- [View BG8A-23039-01 specifications](#)
- [View BG8A-34039-01 specifications](#)

BG8						
Layer	Line Pull		Line Speed		Rope Capacity	
	(lbs)	(kg)	(fpm)	(mpm)	(ft)	(m)
1	8000	3636	244	74	58	18
2	7200	3273	271	83	122	37
3	6550	2977	298	91	193	59
4	6000	2727	325	99	270	82
5	5540	2518	352	107	353	108
6	5140	2336	379	116	443	135

Engineering Data		
	English	Metric
Ratio	34. 2:1	
Drum Diameter	8.5 in	
Flange Dia	14.56 in	369.8 mm
Flange Width	12.25 in	311.2 mm
Pressure	2419 psi	166.8 bar
Flow	65 gpm	246 lpm
Wire Rope Diameter	0.5 in.	12.7 mm

BG8A-59039-01-1

Layer	Line Pull		Line Speed		Rope Capacity	
	(lbs)	(kg)	(fpm)	(mpm)	(ft)	(m)
1	8000	3636	140	43	58	18
2	7200	3273	156	48	122	37
3	6550	2977	172	52	193	59
4	6000	2727	187	57	270	82
5	5540	2518	203	62	353	108
6	5140	2336	218	66	443	135
	The last legal layer per ANSI is 5				D/d=18:1	

Engineering Data		
	English	Metric
Ratio	59.06:1	
Drum Diameter	8.5 in	
Flange Dia	14.56 in	369.8 mm
Flange Width	12.25 in	311.2 mm
Pressure	1394 psi	96.1 bar
Flow	65 gpm	2461 lpm
Wire Rope Diameter	0.5 in	12.7 mm

BG8A-23039-01

Layer	Line Pull		Line Speed		Rope Capacity	
	(lbs)	(kg)	(fpm)	(mpm)	(ft)	(m)
1	6690	3041	361	110	58	18
2	6020	2736	401	122	122	37
3	5470	2486	442	135	193	59
4	5020	2282	482	147	270	82
5	4630	2105	522	159	353	108
6	4300	1955	562	171	443	135
The last legal layer per ANSI is 5					D/d=18:1	

Engineering Data		
	English	Metric
Ratio	23.06:1	
Drum Diameter	8.5 in	
Flange Dia	14.56 in	369.8 mm
Flange Width	12.25 in	311.2 mm
Pressure	3000 psi	206.9 bar
Flow	65 gpm	2461 lpm
Wire Rope Diameter	0.5 in	12.7 mm

BG8A-34039-01

Layer	Line Pull		Line Speed		Rope Capacity	
	(lbs)	(kg)	(fpm)	(mpm)	(ft)	(m)
1	8000	3636	244	74	58	18
2	7200	3273	271	83	122	37
3	6550	2977	298	91	193	59
4	6000	2727	325	99	270	82
5	5540	2518	352	107	353	108
6	5140	2336	379	116	443	135
	The last legal layer per ANSI is 5				D/d=18:1	

Engineering Data		
	English	Metric
Ratio	34.2:1	
Drum Diameter	8.5 in	
Flange Dia	14.56 in	369.8 mm
Flange Width	12.25 in	311.2 mm
Pressure	2419 psi	166.8 bar
Flow	65 gpm	2461 lpm
Wire Rope Diameter	0.5 in	12.7 mm