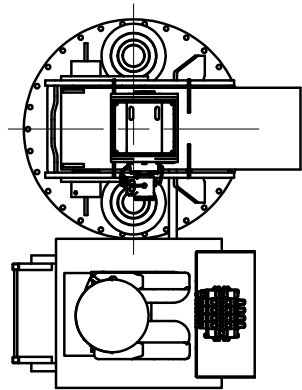
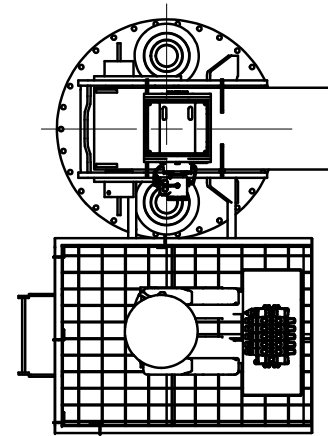


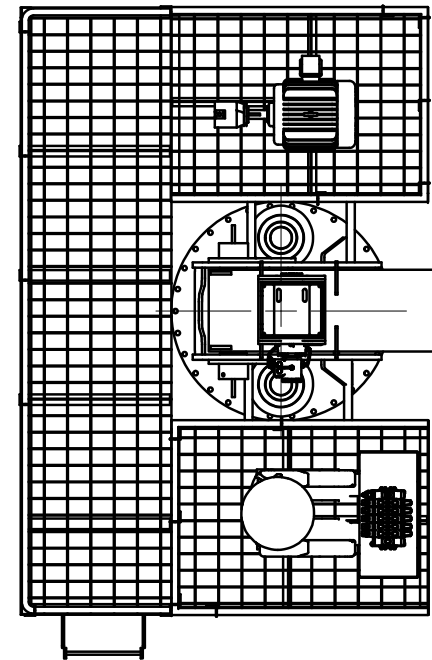
A WALK AROUND CONTROL



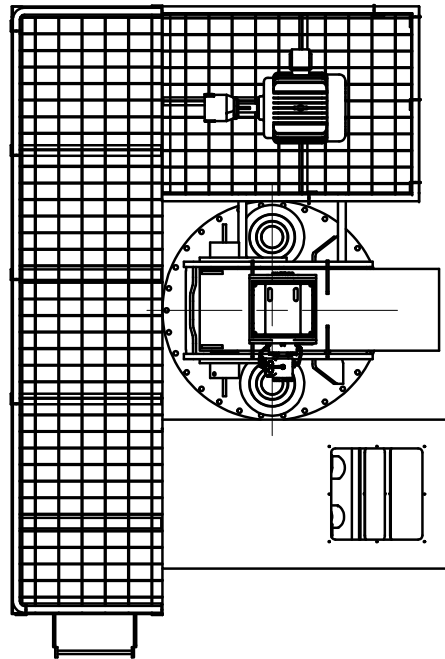
B OPERATOR'S SEAT WITH CONTROL



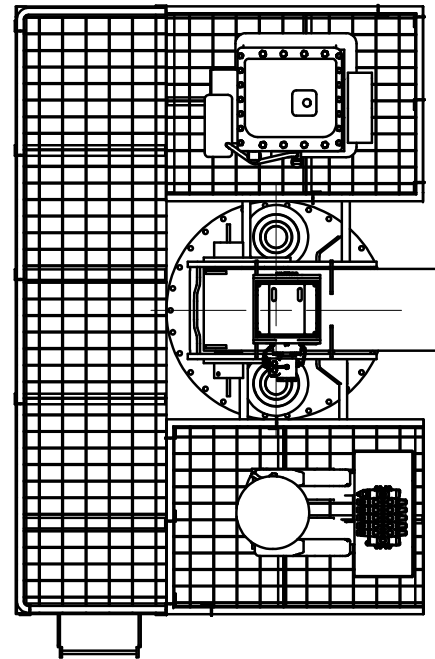
C OPEN ONBOARD CONTROL WITH PLATFORM



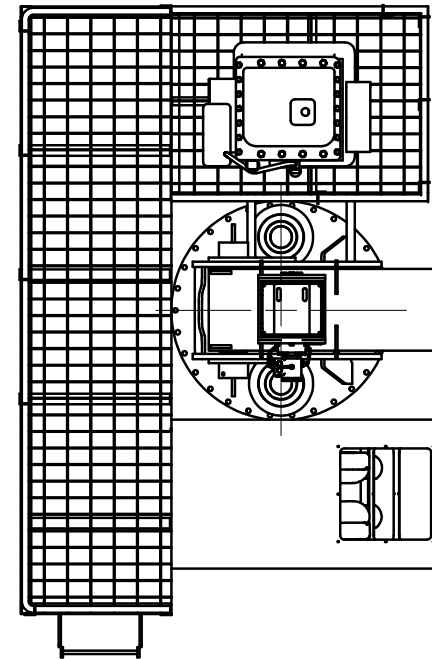
D OPEN ONBOARD CONTROL AND ELECTRIC MOTOR WITH PLATFORM



E OPERATOR'S CAB AND ELECTRIC MOTOR WITH PLATFORM



F OPEN ONBOARD CONTROL AND ENGINE POWER WITH PLATFORM



G OPERATOR'S CAB AND ENGINE POWER WITH PLATFORM

DRAWN VN	1/23/2009	HYDRA PRO, INC; <small>2260 W. Commodore way Seattle, WA 98199 (206) 285-9578 Fax: (206) 285-9579</small>	
CHECKED		TITLE AVAILABLE PLATFORMS TYPICAL ARRANGEMENTS	
QA		SIZE C	REV 0
MFG		DWG NO	
APPROVED		SCALE	WEIGHT
NEXT ASSY.		SHEET 1 OF 1	