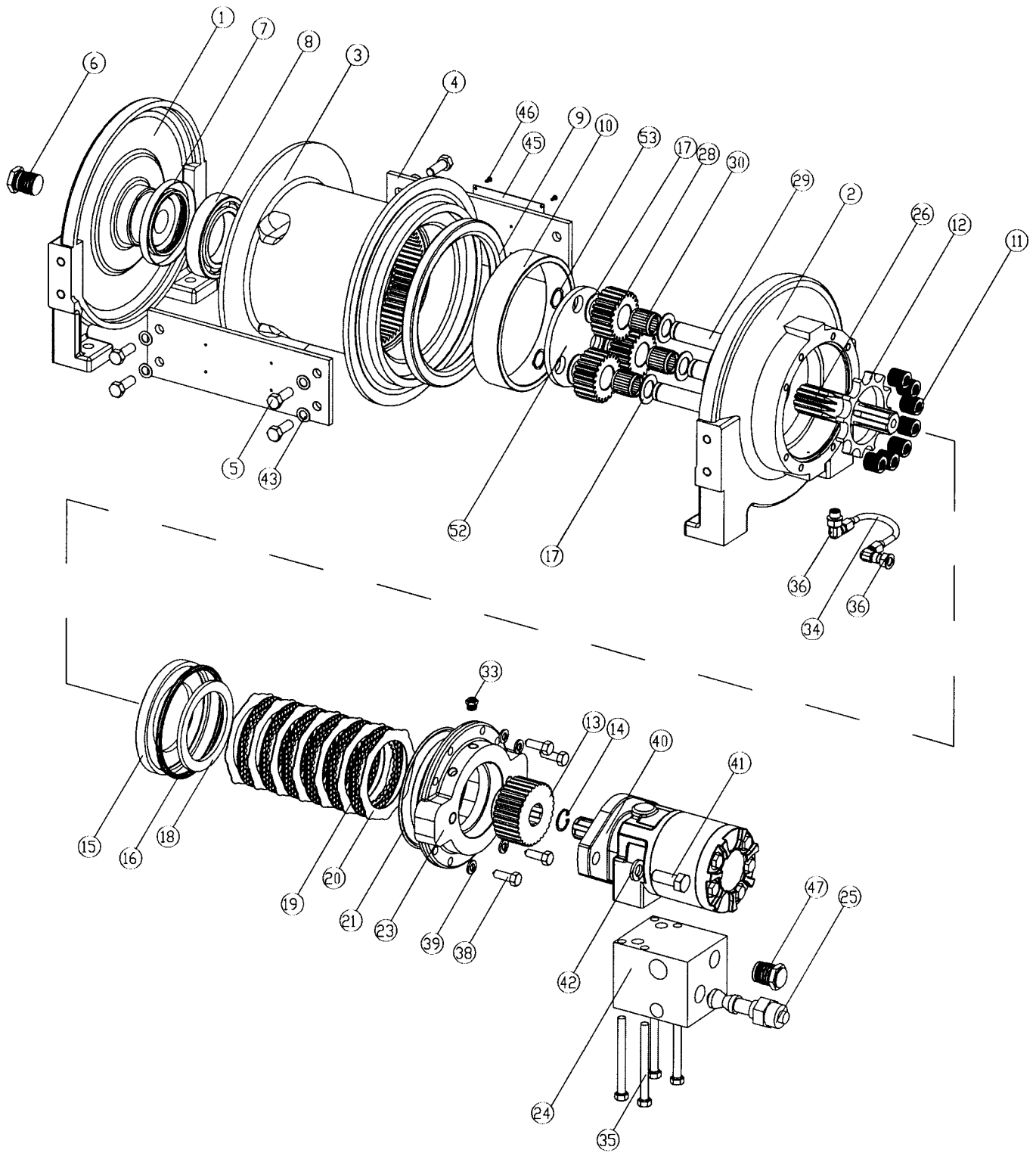


# BRADEN BG3 HYDRAULIC PLANETARY WINCH COMPONENTS



## BG3 PARTS KEY

ITEM	DESCRIPTION	QTY
1	Bearing Support Endplate	1
2	Brake Cylinder Endplate	1
3	Cable Drum	1
4	Tie Plate	2
5	Capscrew (3/8 NC X 1 G8 Z)	8
6	Plug	1
7	Seal	1
8	Ball Bearing	1
9	Seal	1
10	Bushing	1
11	Spring	12
12	Spring Spacer	1
13	Brake Coupling	1
14	Retaining Ring	1
15	Brake Piston	1
16	Piston Seal	1
17	Thrust Washer	6
18	Spacer	1
19	Friction Disc	8
20	Steel Disc	9
21	O-Ring	1
22	Motor Gasket (NOT SHOWN)	1
23	Motor Adapter	1
24	Brake Valve Block	1
25	Counterbalance Valve Cartridge	1
26	Sun Gear	1
28	Planet Gear	3
29	Planet Gear Shaft	3
30	Roller Bearing	3
32	Cable Wedge (NOT SHOWN)	1
33	Vent Plug	1
34	Tube Assembly	1
35	Capscrew (5/16 NC X 3-1/2 G8 Z)	4
36	Elbow Fitting	2
38	Capscrew (5/16 NC X 1 G8 Z)	8
39	Lockwasher (5/16 Z)	8
40	Motor	1
41	Capscrew (1/2 NC X 1-1/14 G8 Z)	2
42	Lockwasher (1/2 Z)	2
43	Lockwasher (3/8 Z)	8
45	Nameplate	1
46	Drive Screw	4
47	Check Valve	1
52	Planet Gear Retaining Plate	1
53	Retaining Ring	3

Refer to publication LIT2232 for part numbers.