

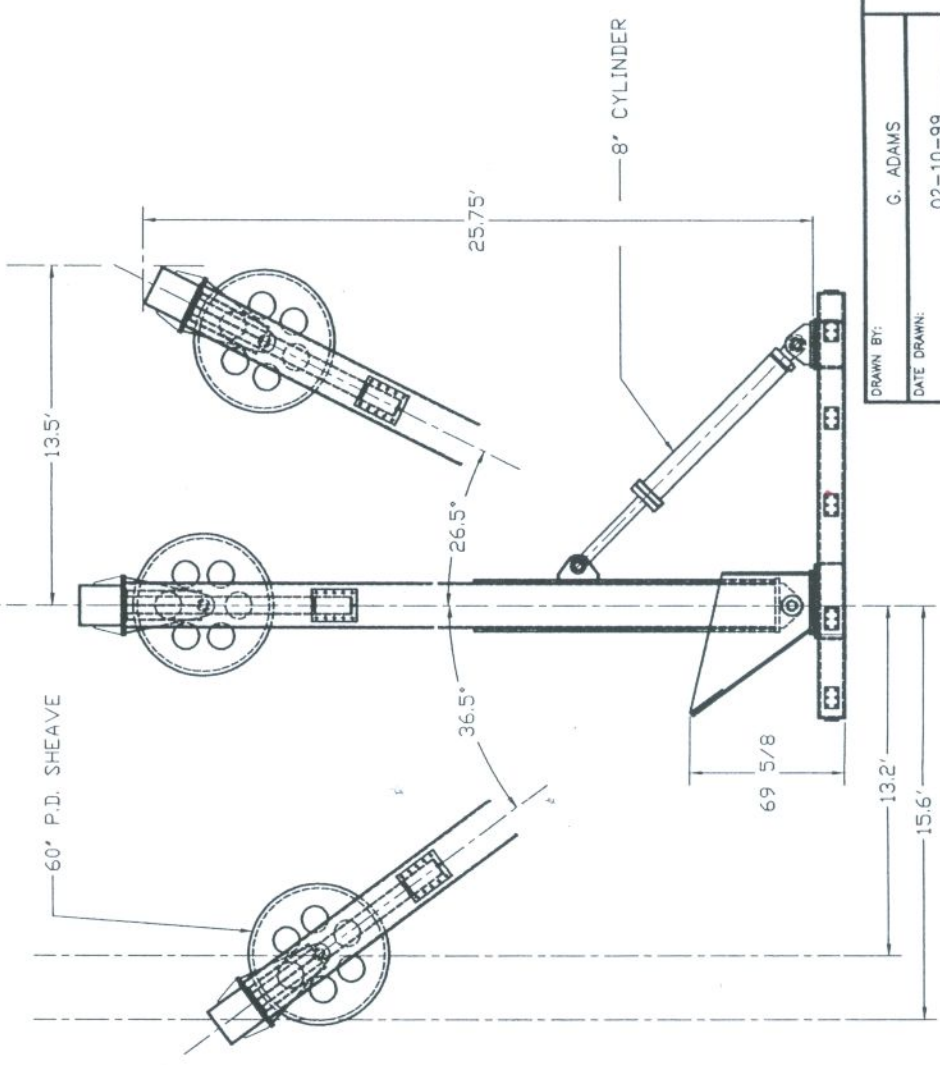
SHIPPING CONFIGURATION

1. (2) LEG MODULES 8' x 5.5' x 31"
2. (2) CENTER MODULES 5.2' x 1' x 16'
3. (1) CROSS BEAM 2.2' x 2.2' x 16'
4. (2) KNEE BRACES 1.2' x 1.2' x 11"
5. (2) LIFT CYLINDERS 1.4' DIA. x 7'
6. (1) SHEAVE 6' DIA. x 2'

OPERATIONAL DATA

RATED CAPACITY: 10 mT to Seastate 6-7
 MAXIMUM REACH: 15.5 ft.
 STOWED REACH: (-) 13.5'

SHIPPING WEIGHT: 19,800 Lbs



DRAWN BY:	G. ADAMS
DATE DRAWN:	02-10-99
ISSUE DATE:	02-10-99
CHECKED BY:	G. ADAMS
DATE CHECKED:	02-10-99
APPROVED BY:	
DATE APPROVED:	
CONTRACT NUMBER:	

HYDRA PRO

4259, 22nd AVE., W.
 SEATTLE, WA, USA 98199
 (206) 285-9578 Fax: (206) 285-9578

GENERAL ARRANGEMENT AND
 DATA FOR 10mT A-FRAME

TITLE	GENERAL ARRANGEMENT AND DATA FOR 10mT A-FRAME		
SIZE	CAGE NUMBER	DRAWING NUMBER	REV.
B	083N8	SP-249	0
SCALE	NONE	WEIGHT	LISTED
			SHEET NUMBER
			1 OF 1

D

C

B

A