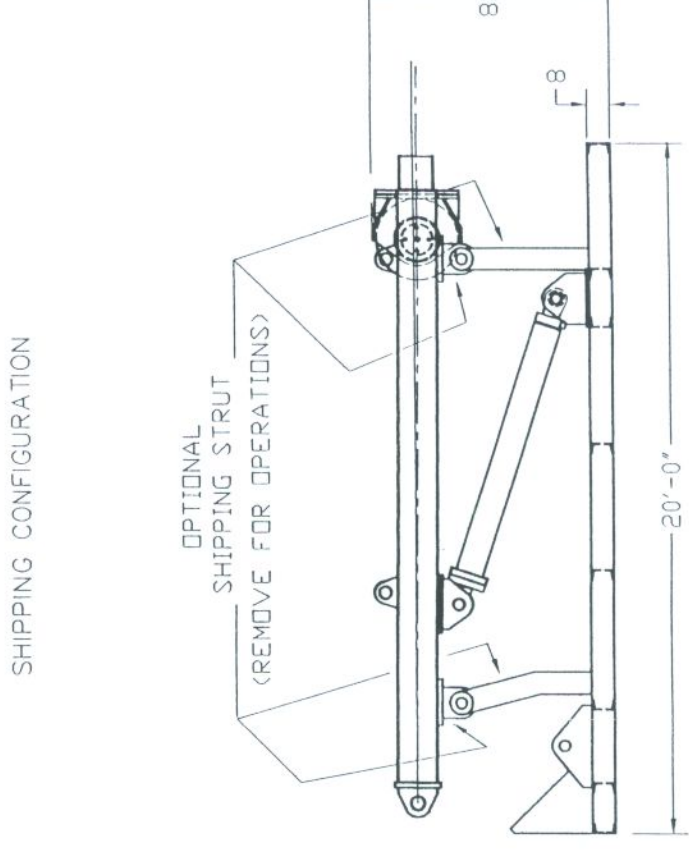
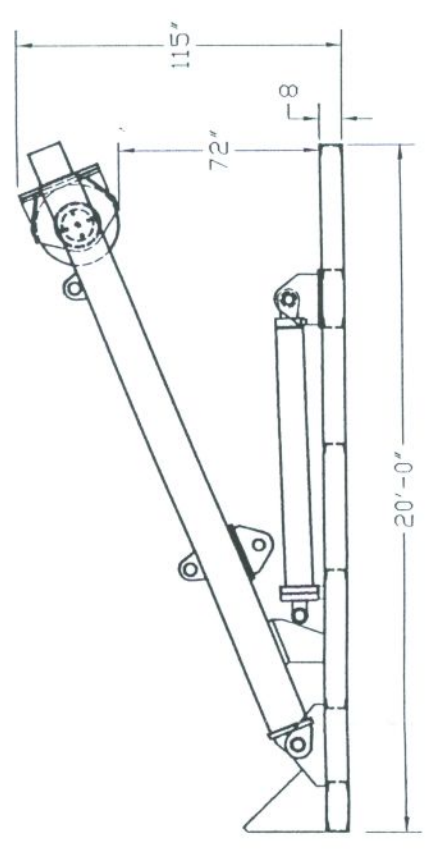
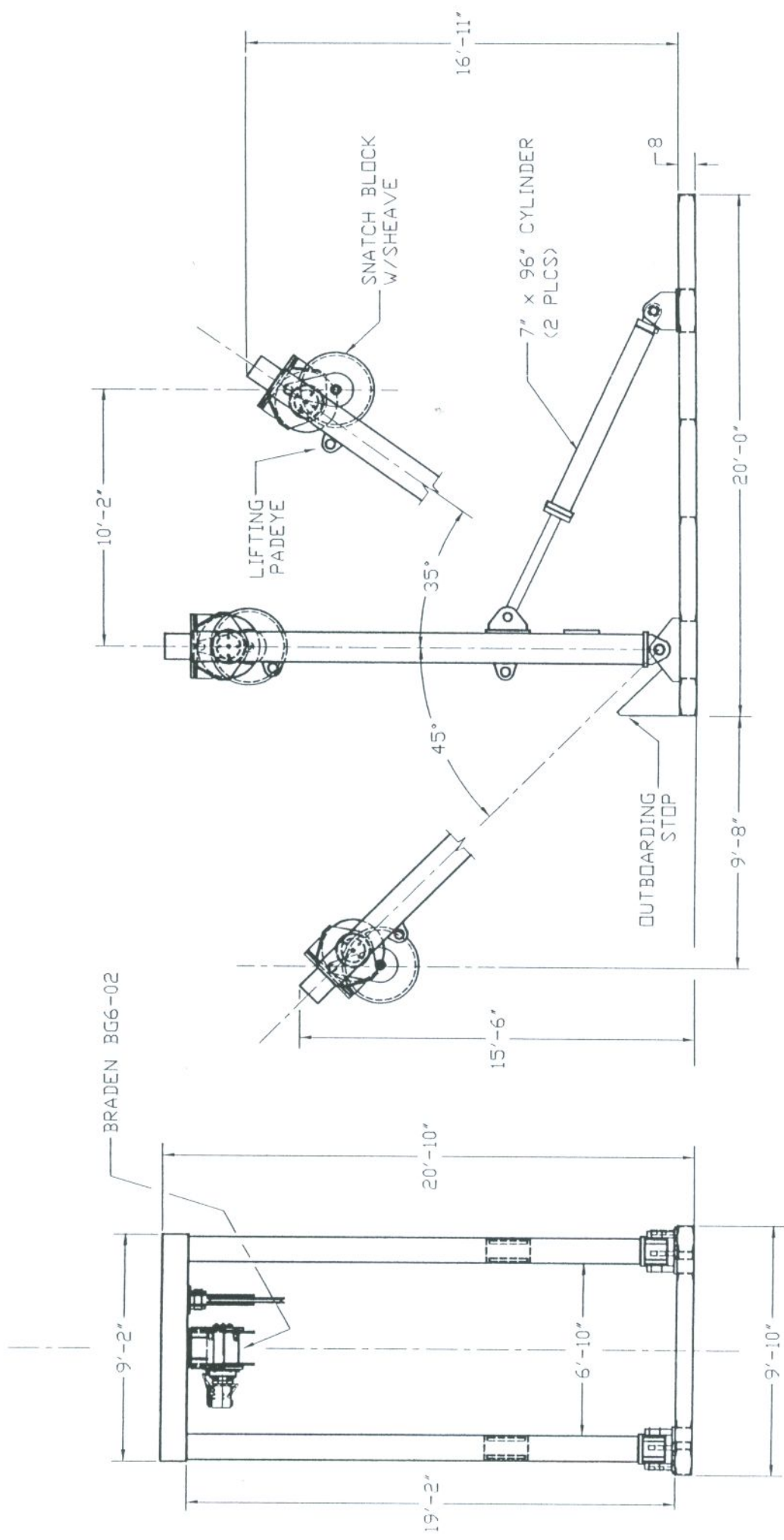


SP-228	B	1	REVISIONS		APPROVALS
ZONE	REV	DESCRIPTION	DATE		
1-A	△	DESCRIPTION	00-00-00		



OPERATIONAL DATA

RATED CAPACITY: 2mT to Seastate 4
 MAXIMUM REACH: 9'-8"
 STOWED REACH: (-) 10'-9"

SHIPPING WEIGHT: 7,600 Lbs

DRAWN BY: G. ADAMS		Marine Cranes	
DATE DRAWN: 07-29-98		4259 22nd Ave. W Seattle, WA 98199	
ISSUE DATE: 07-29-98		HYDRA-PRO	
CHECKED BY: G. ADAMS		GENERAL ARRANGEMENT AND	
DATE CHECKED: 07-29-98		DATA FOR 2mT A-FRAME	
APPROVED BY:		SIZE: B	DRAWING NUMBER: SP-228
DATE APPROVED:		CAGE NUMBER: 083N8	REV: 1
CONTRACT NUMBER:		SCALE: NONE	WEIGHT: LISTED
		SHEET NUMBER: 1 OF 1	