

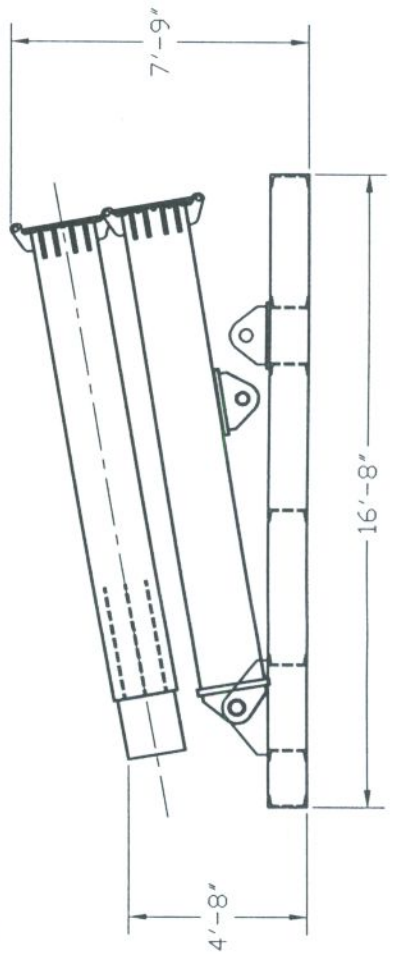
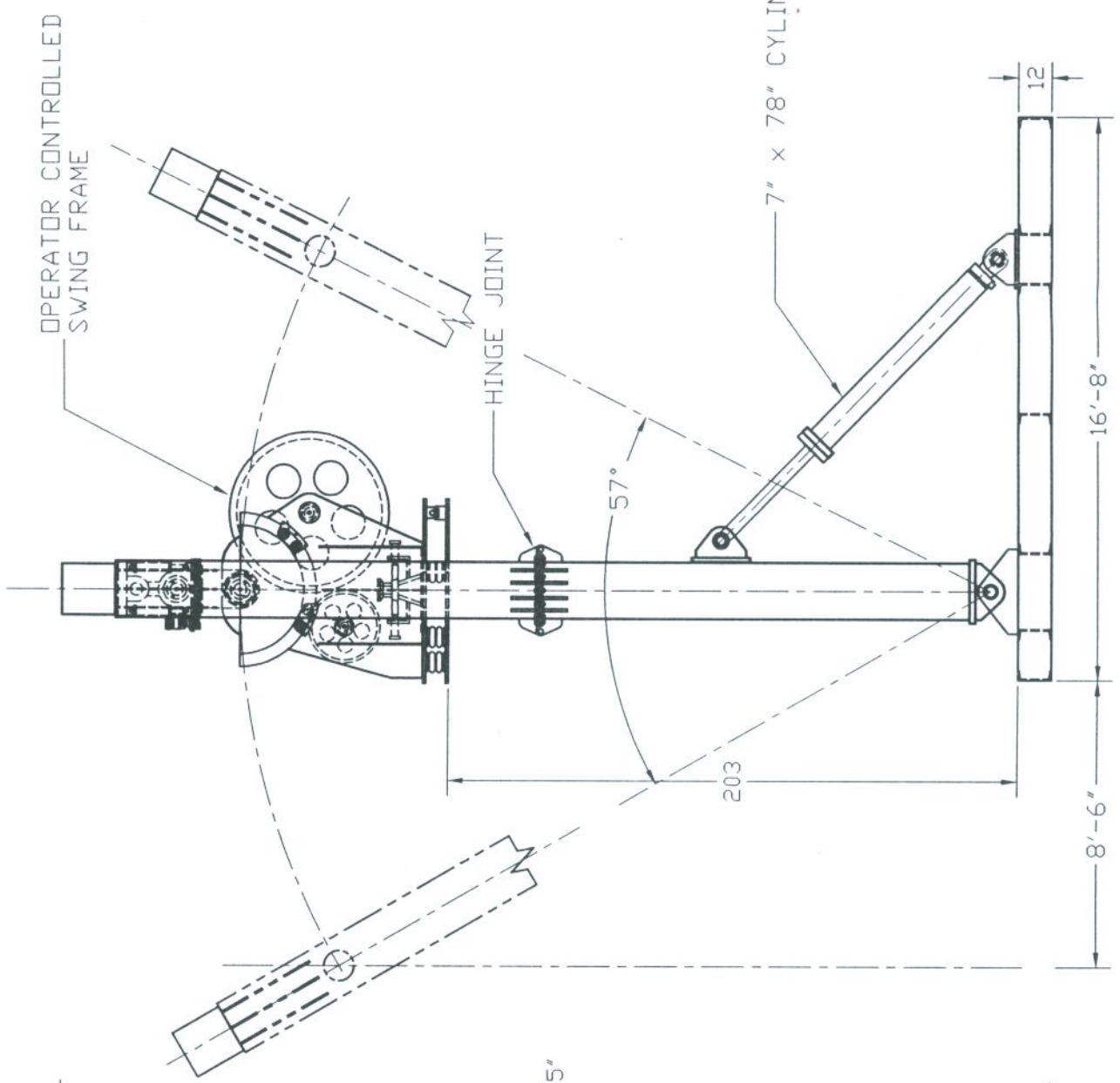
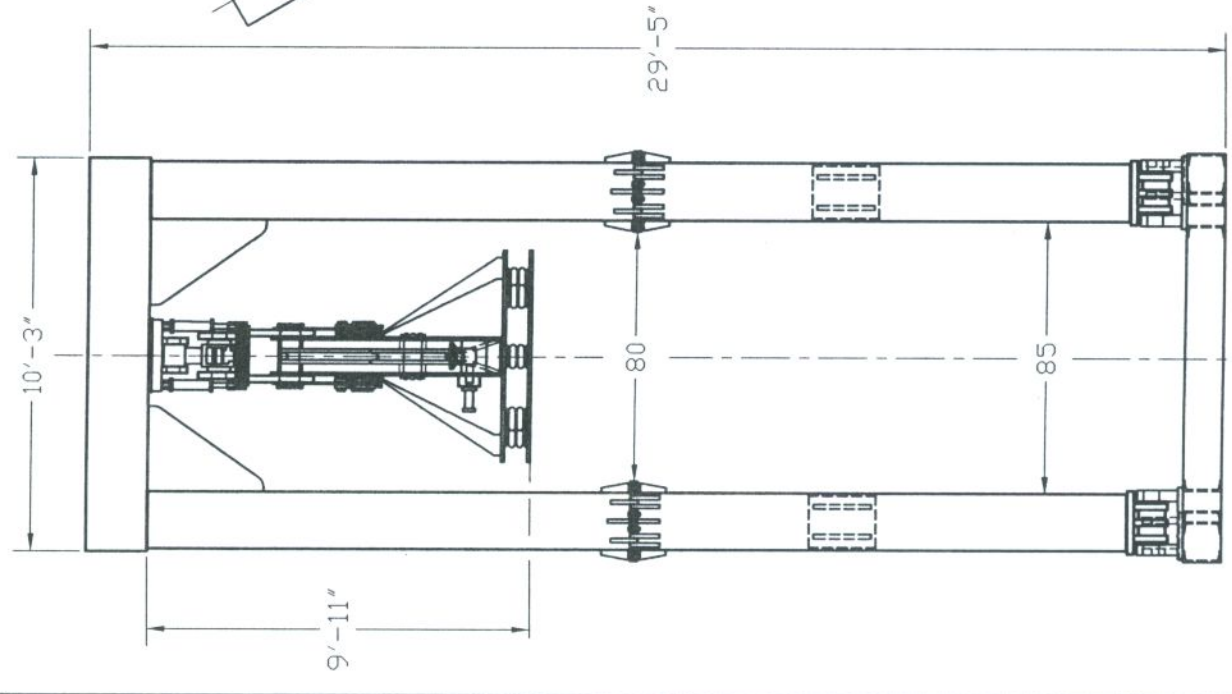
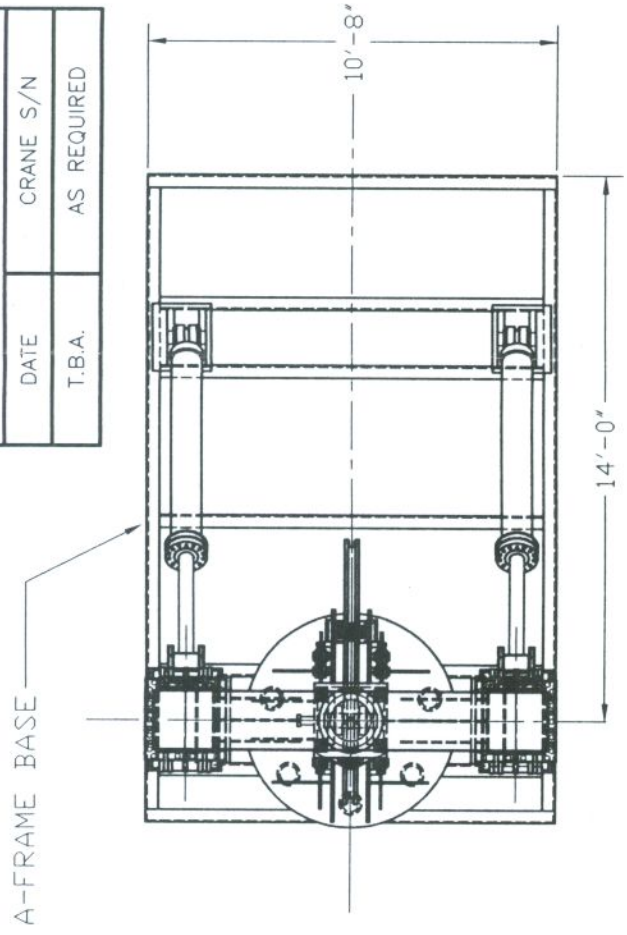
REVISIONS		DATE	APPROVALS
ZONE	REV	DESCRIPTION	
1-A	△	DESCRIPTION	00-00-00

DRAWING USED ON	
DATE	CRANE S/N
T.B.A.	AS REQUIRED

OPERATIONAL DATA

RATED CAPACITY: 15mT to Seastate 6
 MAXIMUM REACH: 8'-6"
 STOWED REACH: (-) 11'-3"
 RETRIEVAL REACH*: (-) 10'-6"
 *: REACH AT 18" CLEARANCE BELOW TMS & ROV

SHIPPING WEIGHT: 10,500 Lbs (A-FRAME)
 SHIPPING WEIGHT: 2,500 Lbs (SWING FRAME)



SHIPPING CONFIGURATION

DRAWN BY: G. ADAMS		Marine Cranes	
DATE DRAWN: 06-08-98		4259 22nd Ave. W Seattle, WA 98199	
ISSUE DATE: 06-08-98		HYDRA-PRO	
CHECKED BY: G. ADAMS		GENERAL ARRANGEMENT AND DATA FOR 15mT A-FRAME	
DATE CHECKED: 06-08-98		SIZE: B	REV: 0
APPROVED BY:		CAGE NUMBER: 083NB	DRAWING NUMBER: SP-210
DATE APPROVED:		SCALE: NONE	WEIGHT LISTED
CONTRACT NUMBER:		SHEET NUMBER 1 OF 1	